

# IPC-810E 4U 19" Rackmount Industrial Computer

## Brief Introduction

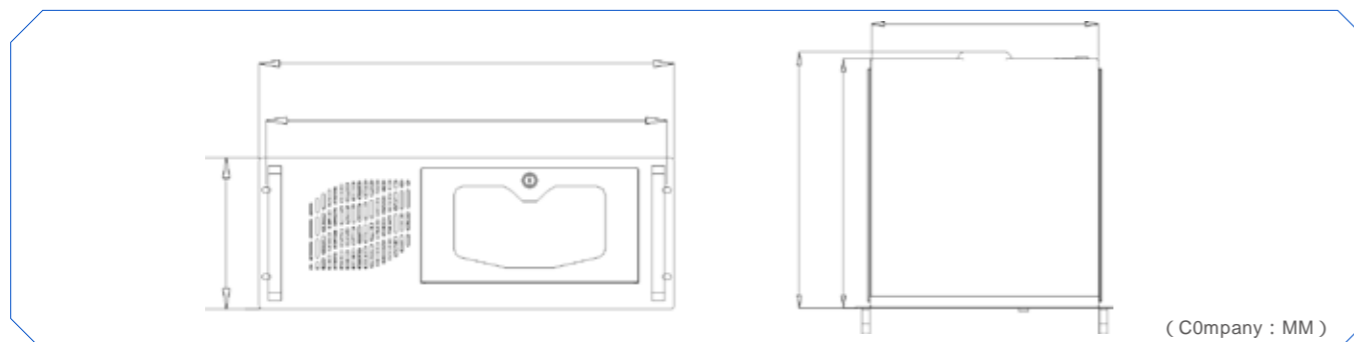
IPC-810E is a 4U rack-mount chassis built by high quality steel plate and supports the complete range of full-size boards and industrial motherboards of our company, such as EPE, EC9 and EC0, etc. As a universal 4U rack-mount chassis, it can be widely applied in the fields such as industrial control, petroleum, petrochemical and video surveillance, etc.



## Features

- High quality steel plate
- Support EVOC EPE/EC0/EC9 motherboard
- Support Industrial ATX PS/2 PSU
- Support 1x5.25" CD-ROM and 3x3.5" HDD
- Support rear USB 2.0 ports
- Easy to replace fan filter

## Product size chart



## Specifications

Items		Specification
Function	CPU	According to different motherboard
	Chipset	
	Memory	
	Display	
	LAN	
	Audio	
	Storage	1 x 5.25" CD-ROM bay 2 x 3.5" HDD bay (Anti-vibration) 1 x 3.5" HDD bay
Expansion	Motherboard support: EPE (PICMG 1.3), EC0 (ATX), EC9 (Micro-ATX), EC7 (Mini-ITX), ECS SBC Backplane support: Up to 13-slots EPE backplan Power Supply: Support PS/2 ATX/AT PSU	
Front I/O	2 x USB 2.0 ATX switch, Reset switch, Power/HDD LED indicator	
Performance	Dimensions(W x H x D)	482 x 177 x 470.4 mm
	Weight	About 15.3kg
	Color	Industrial grey
	Temperature	Operating:0 ~ 50      Storage:-20 ~ 60
	Humidity	5% ~ 90% (Non-condensing)
	Reliability	MTBF ≥ 50000h    MTTR ≤ 0.5h
	Mechanical	Anti-vibration: 5-17Hz/1.0mm amplitude 17-200Hz/1.0g acceleration Anti-shock: 10g acceleration, 11ms duration Noise: ≤50dB

## Optional Motherboards

Model	Form Factor	Chipset	DIMMs	SATA	LAN	USB	COM	PCIe	PCI
SVE-1802	ATX	C612	8	10	2	7	1	5	1
EC0-1820	ATX	H310	2	4	2	10	10	2	5
EC0-1818-C236	ATX	C236	4	4	2	14	6	5	2
EC0-1818(B)	ATX	H110	2	4	2	10	10	4(2)	3(5)
EC0-1817	ATX	Q87/H81	4/2	6/4	2	10	10	3	4
EC0-1816	ATX	B65/H61	2	4	2	12/10	10	3/2	4/5
EPE-1816	PICMG 1.3	H110	2	4	2	10	2(6)	Optional	Optional

## Ordering Information

P/N	Model	Description
0010-100481	IPC-810E	4U 19" Rackmount IPC/SVE-1802/E5-1650 V3/8G DDR4/2 x 500G HDD/DVD-ROM/ATX 350W/2LAN/6USB/COM/VGA/2 x PCIe16/3 x PCIe8/PCI
0010-096901	IPC-810E	4U 19" Rackmount IPC/EPE-1816/i5-6500/4G DDR4/1 x 500G HDD/ATX 300W/2LAN/4USB/2COM/PS2/Audio/VGA/DP/EPE-6112E5 (1 x PCIe16, 4 x PCIe4, 6 x PCI)
0010-121321	IPC-810E	4U 19" Rackmount IPC/EC0-1820/G4900/4G DDR4/1TB HDD /ATX 250W/2LAN/6USB/6COM/VGA/DVI-D/HDMI/DP/PS2/Audio/1 x PCIe16/1 x PCIe4/5 x PCI
0010-107141	IPC-810E	4U 19" Rackmount IPC/EC0-1818(B)/i3-6100/4G DDR4/1 x 500G HDD /ATX 250W/2LAN/6USB/6COM/VGA/HDMI/PS2/LPT/Audio/1 x PCIe16/3 x PCIe1/3 x PCI
0010-098901	IPC-810E	4U 19" Rackmount IPC/EC0-1817V2NA-H81-6COM/G3420/2G DDR3/1 x 500G HDD /ATX 250W/2LAN/6USB/6COM/VGA/DVI-D/PS2/LPT/Audio/1 x PCIe16/2 x PCIe1/4 x PCI
0010-081051	IPC-810E	4U 19" Rackmount IPC/EC0-1816V2NA(C)- 6COM/i3-2120/2G DDR3/1 x 500G HDD /ATX 250W/DVD-ROM/2LAN/6USB/6COM/VGA/DVI-D/PS2/LPT/Audio/1 x PCIe16/1 x PCIe1/5 x PCI